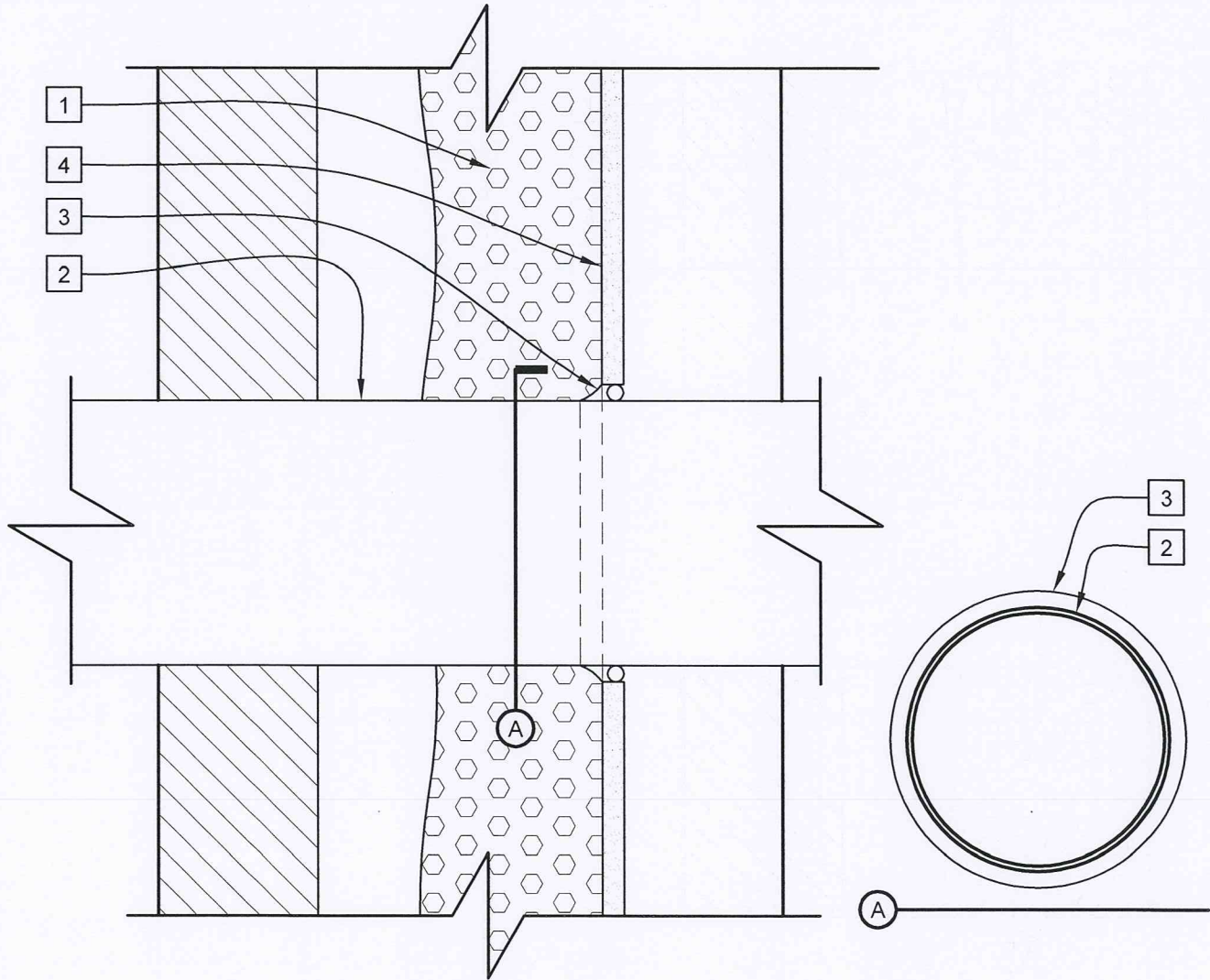


LEGEND

- 1 JM CORBOND III™
- 2 PIPE.
- 3 URETHANE FLEXIBLE CAULK.
- 4 EXTERIOR GYPSUM SHEATHING.



**PENETRATIONS - AMBIENT TEMPERATURE**

SKETCH NO.

**AB9**

SCALE  
3"=1'-0"

ISSUE DATE  
06/03/11

REV. NO.

CAD FILE:  
PENETRATIONS.dwg

Johns Manville and Corbond Corporation (together, "JM") Manufacture spray polyurethane foam insulation products and offer this general conceptual information to you as a courtesy. This complimentary assistance is not to be used or relied upon by anyone as a substitute for professional engineering design and documentation required by building code, contract, or applicable law. By accepting these comments you agree they do not constitute any representations, endorsements of, or an assumption by JM of any liability for either the adequacy of the design of this building or any other material not supplied by JM.

